

## SAFETY ITEMS



HD107/HD112  
HEAVY DUTY CAST ALUMINUM  
BACK-UP ALARM  
HD107 107 DECIBELS 12V  
HD112 112 DECIBELS 12V



WARNING  
TRIANGLE KIT  
84300



5 LB FIRE EXTINGUISHER BRACKET  
5BRK  
2 LB ALSO AVAILABLE  
2.5BRK



FIRE EXTINGUISHERS  
5ABC  
5 LB FIRE EXTINGUISHER



BODY FLUID CLEANUP KIT 200916  
REFILL KIT 160147



FIRST AID KIT 203045  
REFILL KIT 203045R

OUR  
BODY FLUID  
CLEANUP  
KITS  
AND  
FIRST AID  
KITS  
ARE  
BUILT FOR  
TEXAS SPECS

GIVE US A  
CALL  
1-800-460-2877

**“WE HAVE ALL YOUR SAFETY NEEDS”**

**“Your School Transportation Parts Specialist”**

## SAFETY ITEMS

3 POINT DRIVERS SEAT BELT



2 POINT DRIVERS SEAT BELT



RETRACTOR LAP BELT



PASSENGER SEAT BELT



LOOP TYPE OCCUPANT RESTRAINT

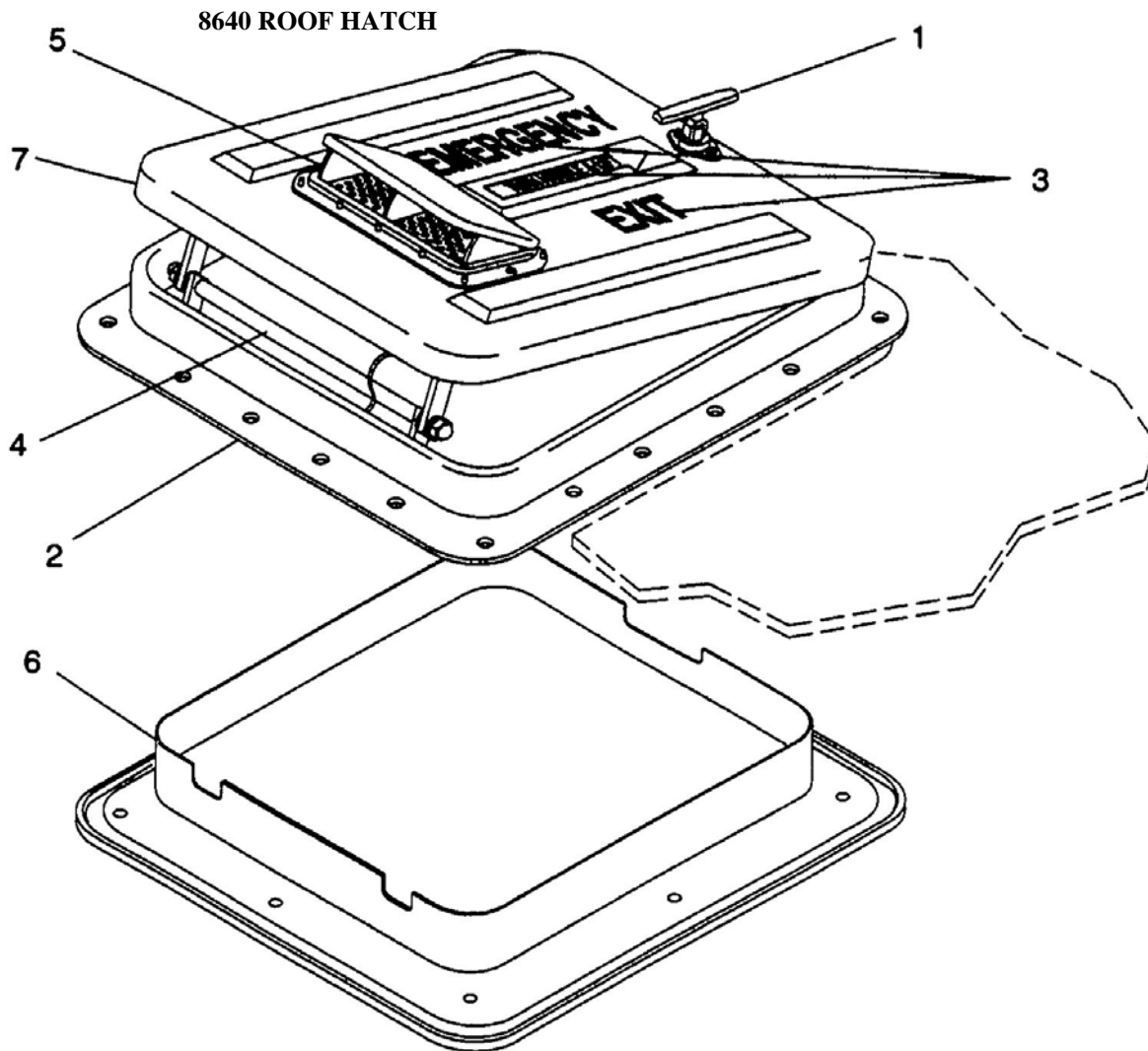


6002 60" BLACK OCCUPANT RESTRAINT  
6002 60" BLUE OCCUPANT RESTRAINT  
6002 60" RED OCCUPANT RESTRAINT  
7402 74" BLACK OCCUPANT RESTRAINT  
7403 74" BLUE OCCUPANT RESTRAINT  
7404 74" RED OCCUPANT RESTRAINT

# 1-800-460-2877

## SAFETY ITEMS

### SPECIALTY MANUFACTURING 8600 SERIES SAFETYGUARD ROOF HATCHES

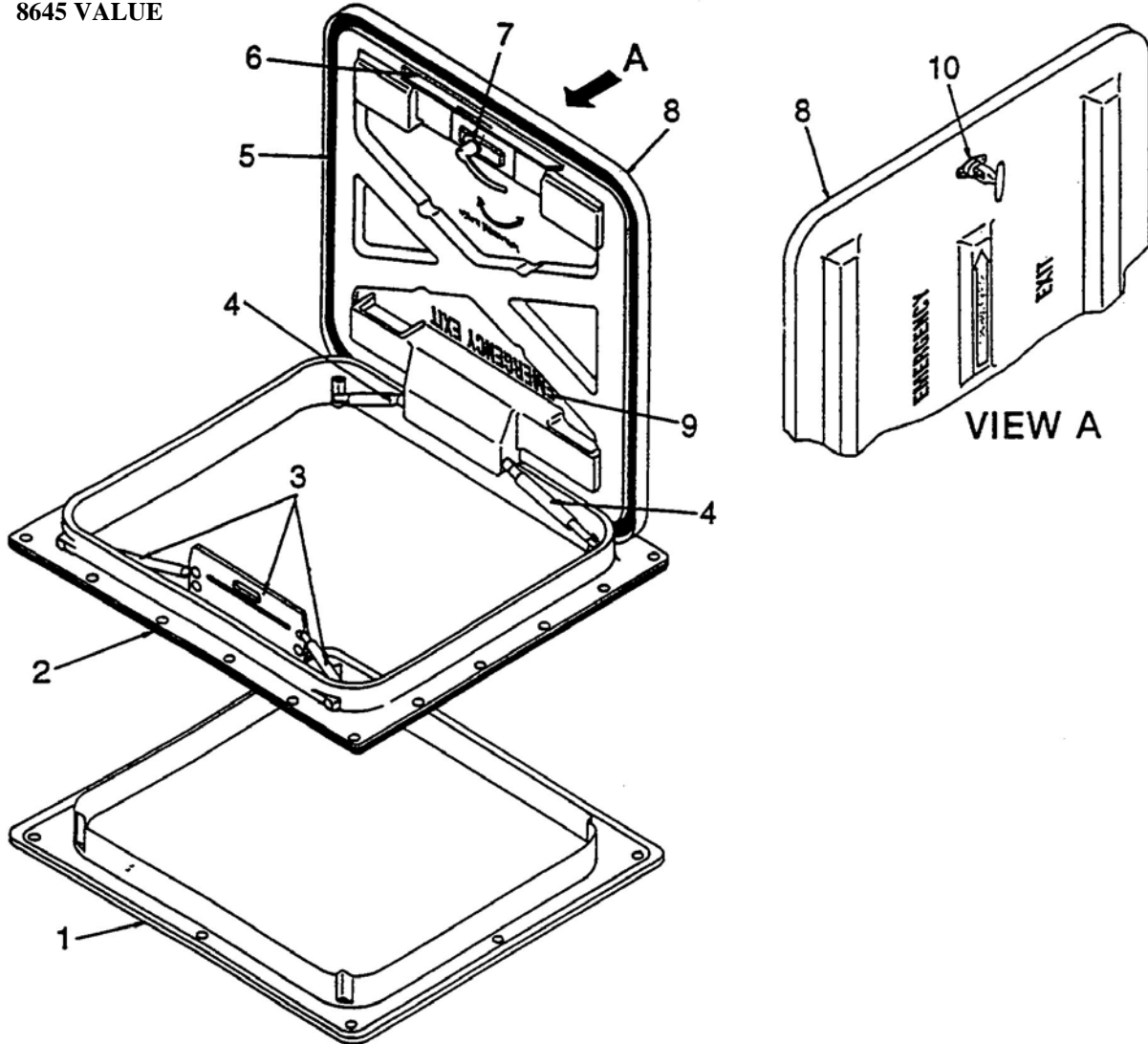


<u>Item No.</u>	<u>Part No.</u>	<u>Description</u>	<u>Item No.</u>	<u>Part No.</u>	<u>Description</u>
1	8621-2	Assy -Exterior Handle	2	8643	Assy -Mounting Frame
	8617	Strike Insert	3	8644	Decal Set -English
	8622-1	Assy -Interior Handle		8727	Cover -Microswitch
	8623	Cam -for Handle	4	8731	Assy- Linkage, Pop-up
	8626	Knob -Black Vent	5	8733	Kit-2-Way Screened Vent
	8639	Microswitch -Alarm		8734	Decal Set -French/English
	8641	Rubber Gasket	6	8750	Assy -Inside Trim Ring
			7	8758	Assy -Top, 8640, Complete

**SAFETY ITEMS**

**SPECIALTY MANUFACTURING 8600 SERIES SAFETYGUARD ROOF HATCHES**

8645 VALUE



Item No.	Part No.	Description
1	8853	Assembly -Inside Trim Ring, 116" Radius
2	8852	Assembly -Mounting ~, 116" Radius
3	8987	Kit -Rear Linkage
4	8966	Assembly -Front Spring w/Hardware (each)
5	8959	Rubber Gasket
6	8956	Rear Support, Nylon
7	8622-1	Assembly -Interior Handle with Cam
8	8860	Assembly -Top, Value Model 8645
9	8930	Decal Set -English
10	8966	Assembly -Exterior Handle

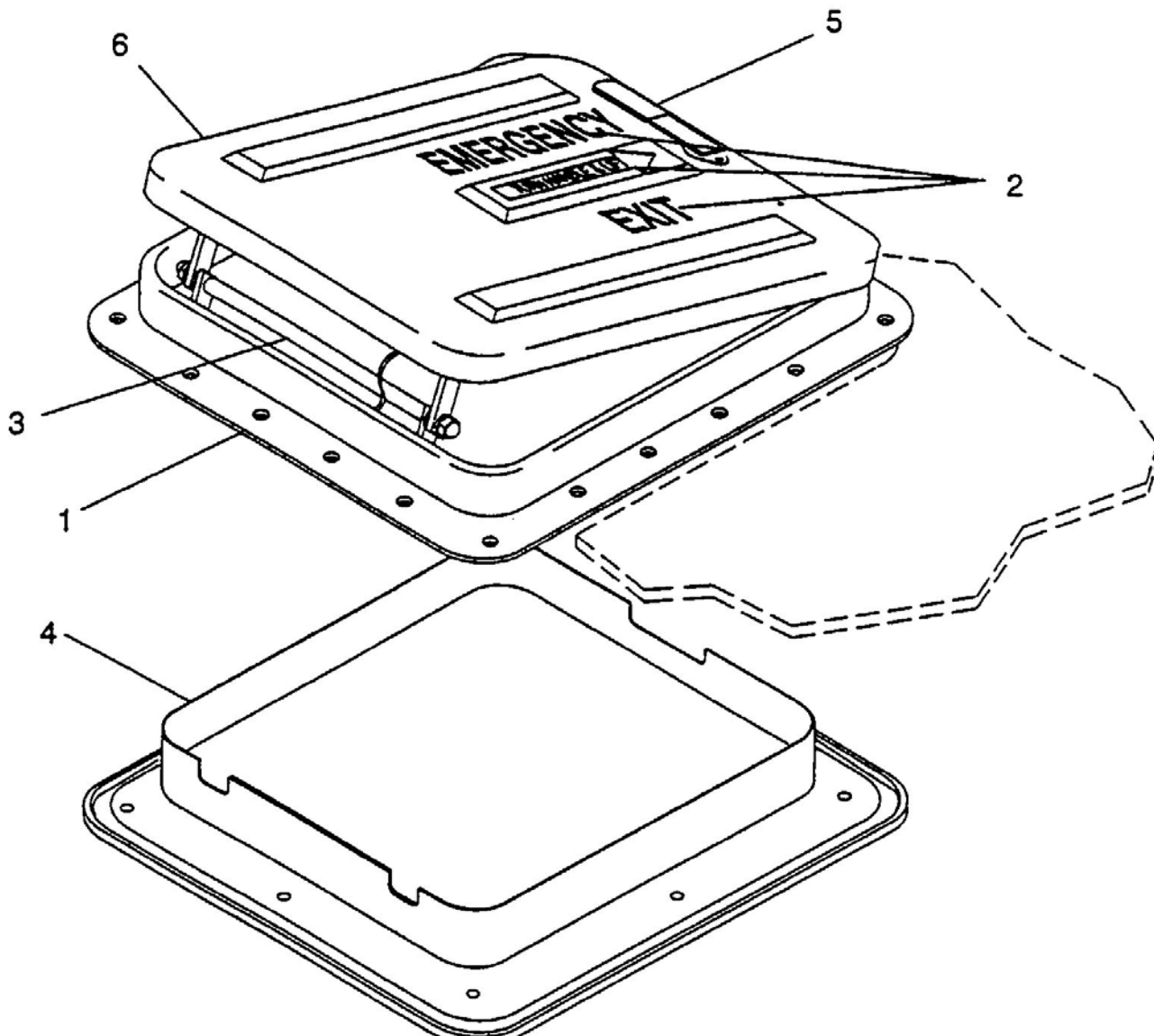
**Replacement Parts Available but Not Shown**

- 8639 Alarm Microswitch
- 8727 Cover -Microswitch
- 8927 Cable, 6 Feet, Alarm
- 8934 Decal Set -French/English
- 8964 Cam -for Handle

**SAFETY ITEMS**

**SPECIALTY MANUFACTURING 8600 SERIES SAFETYGUARD ROOF HATCHES**

**8650 ROOF HATCH**



<u>Item No.</u>	<u>Part No.</u>	<u>Description</u>
	8617	Strike Insert
	8622-1	Assy- Interior Handle
	8623	Cam -for Handle
	8639	Microswitch -Alarm
	8641	Rubber Gasket
1	8643	Assy -Mounting Frame
2	8644	Decal Set -English
	8727	Cover -Microswitch

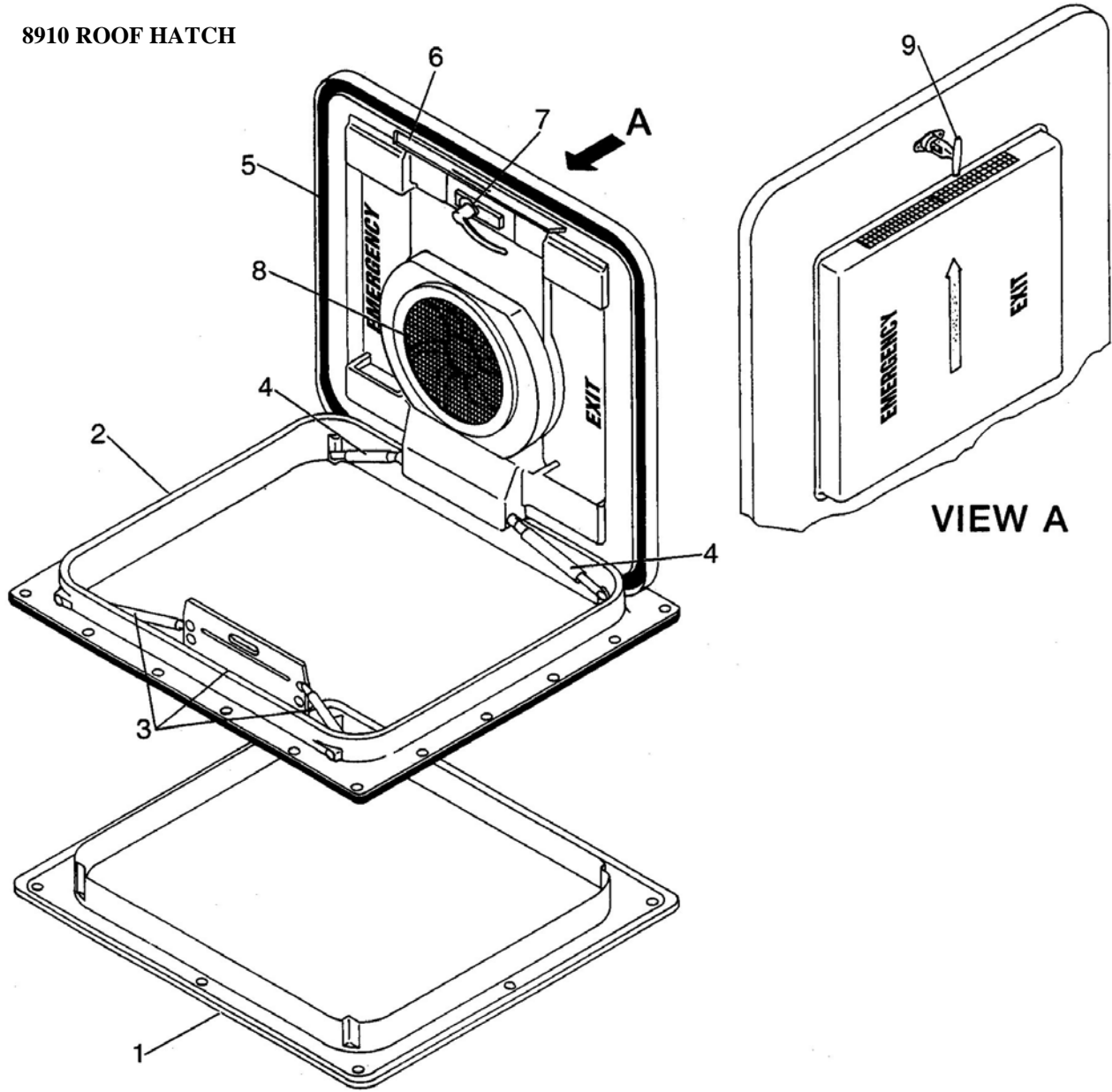
**1-800-460-2877**

<u>Item No.</u>	<u>Part No.</u>	<u>Description</u>
3	8731	Assy- Linkage, Pop-up
	8734	Decal Set -French/English
4	8750	Assy -Inside Trim Ring
5	8754	Assy -Exterior Handle
6	8757	Assy -Top, 8650, Complete

**SAFETY ITEMS**

**SPECIALTY MANUFACTURING 8900 SERIES SAFETYGUARD ROOF HATCHES**

**8910 ROOF HATCH**

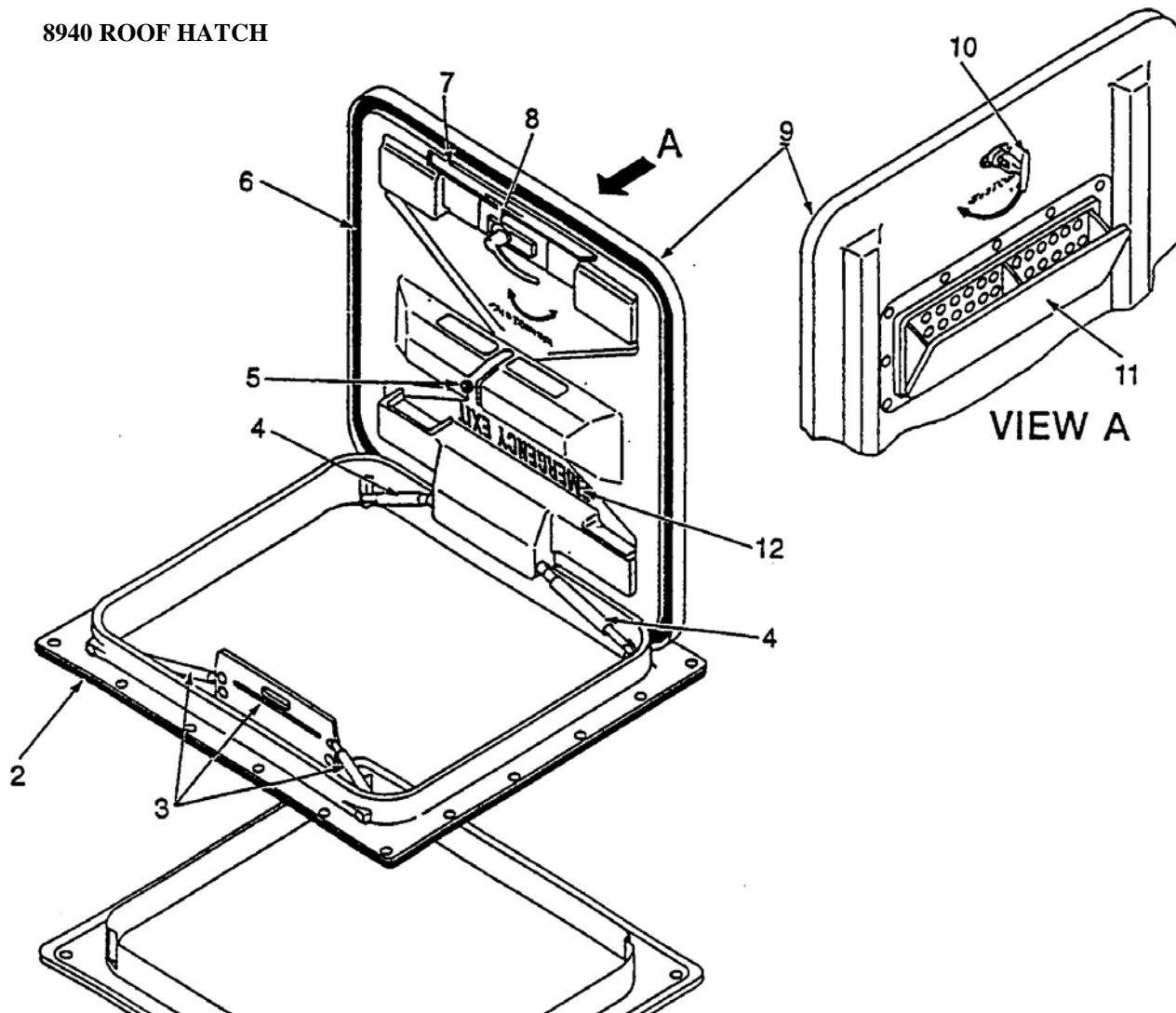


<u>Item No.</u>	<u>Part No.</u>	<u>Description</u>	<u>Item No.</u>	<u>Part No.</u>	<u>Description</u>
View A	8935	Assembly	6	8956	Rear Support, Nylon
	8910	Top Only	7	8922-1	Assy- Int. Handle (optional)
1	8953	Assembly -Inside Trim Ring	8	8928	Fan, Single Speed
2	8954	Mounting Frame	9	8966	Assy -Ext. Handle
3	8987	Kit -Rear Linkage Assembly			
4	8986	Assy -Front Springs w/Hdwe (ea)			
5	8959	Rubber Gasket			

## SAFETY ITEMS

### SPECIALTY MANUFACTURING 8900 SERIES SAFETYGUARD ROOF HATCHES

#### 8940 ROOF HATCH

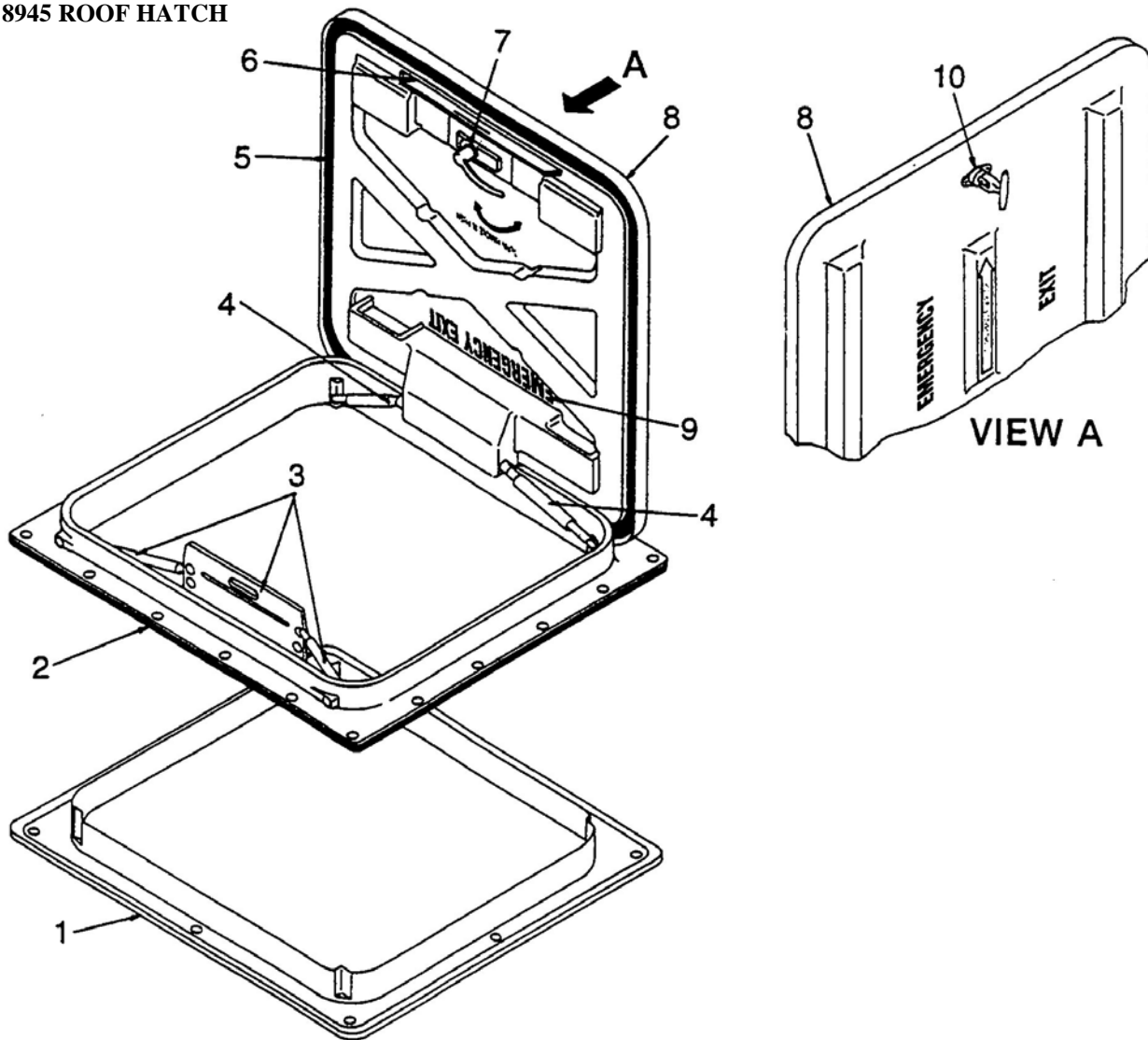


Item No.	Part No.	Description	Replacement components not shown:
1	8953	Assembly -Inside Trim Ring	8964 Cam -for Handle
2	8954	Assembly -Mounting Frame	8639 Microswitch -Alarm
3	8987	Kit -Rear Linkage Assembly	8727 Cover -Microswitch
4	8986	Assy- Front Springs w/Hdwe (ea)	8934 Decal Set -French/English
5	8626	Knob -Black Vent	8927 Cable -Alarm 6 Feet
6	8959	Rubber Gasket	
7	8956	Rear Support, Nylon	
8	8622-1	Assembly -Interior Handle	
9	8988	Assembly 8940 Top, Complete	
10	8966	Assembly -Exterior Handle	
11	8733	Kit -2-way Screened Vent	
12	8930	Decal Set -English	

## SAFETY ITEMS

### SPECIALTY MANUFACTURING 8900 SERIES SAFETYGUARD ROOF HATCHES

8945 ROOF HATCH



Item No.	Part No.	Description
1	8953	Assembly -Inside Trim Ring
2	8954	Assembly -Mounting Frame
3	8987	Kit -Rear Linkage
4	8986	Assembly -Front Spring w/Hardware (ea)
5	8959	Rubber Gasket
6	8956	Rear Support, Nylon
7	8622-1	Assembly- Interior Handle with Cam
8	8955	Assembly -Top, Model 8945
9	8930	Decal Set -English
10	8966	Assembly -Exterior Handle

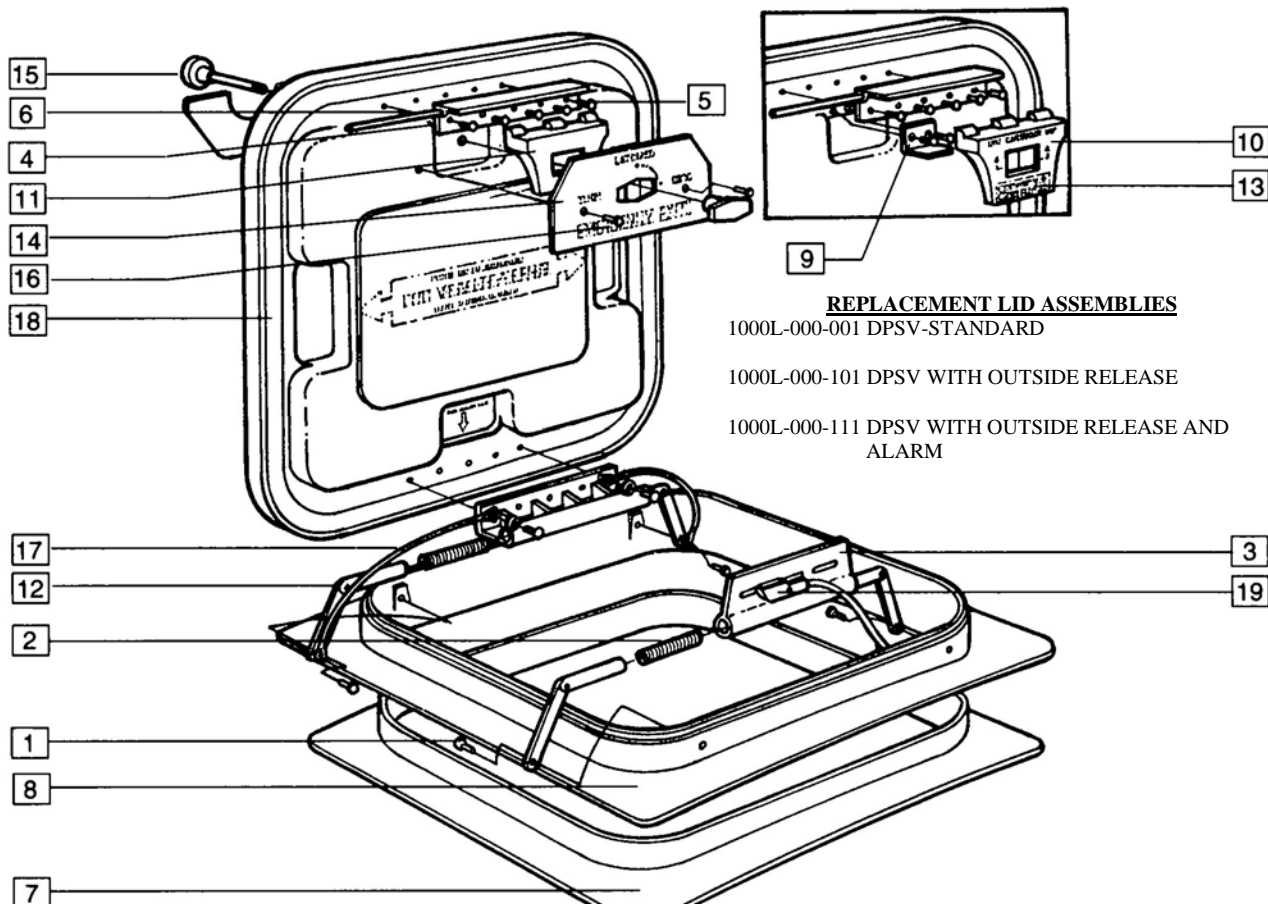
**Replacement Parts Available but not Shown**

8639	Microswitch for Alarm
8727	Cover-Microswitch
8927	Cable 6' for Alarm
8934	Decal Set -French/English
8964	Cam -for Handle

**SAFETY ITEMS**

**TRANSPEC ROOF HATCHES**

**DUAL PURPOSE SAFETY VENT®  
MODEL 1000**



**REPLACEMENT LID ASSEMBLIES**

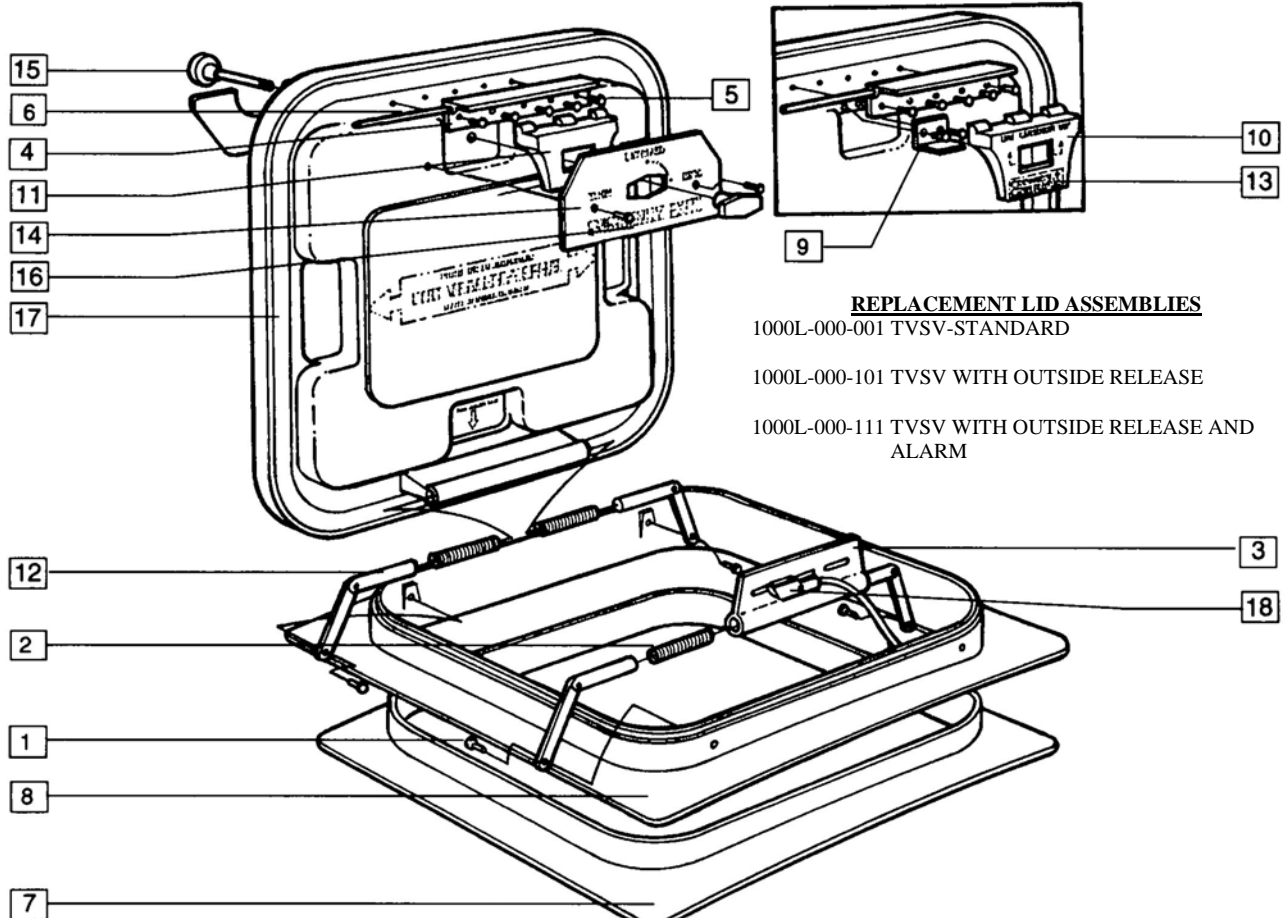
- 1000L-000-001 DPSV-STANDARD
- 1000L-000-101 DPSV WITH OUTSIDE RELEASE
- 1000L-000-111 DPSV WITH OUTSIDE RELEASE AND ALARM

ITEM NUMBER	PART NUMBER	DESCRIPTION	ITEM NUMBER	PART NUMBER	DESCRIPTION
1	2030	SHOULDER BOLT	9	2270	SAFETY LATCH
2	2040	PLUNGER SPRING	10	1000-001	RELEASE HDL ASSY
3	2060	RELEASE HINGE		1000-002	RELEASE HDL ASSY
	2061	RELEASE HINGE (GREY)	11	1000-003	OSR HANDLE ASSY
4	2070	HANDLE BASE		1000-004	OSR HANDLE GREY
	2071	HANDLE BASE (GREY)	12	1000-005	LINK/PLUNGER ASSY
5	2100	SPECIAL SCREW	13	1000-006	INST. DECAL KIT
6	2140	HINGE PIN		1000-007	INST. DECAL KIT (E/F)
7	2220	#4 TRIM MOLDING		1000-008	INST. DECAL KIT (E/S)
	2221	#28 TRIM MOLDING	14	1000-009	OSR DECAL KIT
	1000-019	#4X6" TRIM MOLDING		1000-010	OSR DECAL KIT (E/S)
	2229	#4 TRIM MOLDING (GREY)		1000-011	OSR DECAL KIT (E/F)
	2231	#28 TRIM MOLDING (GREY)		1000-012	OSR DECAL KIT (E/G)
8	2240	#4 MOUNTING FRAME		1000-013	OSR DECAL KIT (E/I)
	2241	#16 MOUNTING FRAME	15	1000-014	OSR HANDLE ASSY
	2242	#28 MOUNTING FRAME	16	1000-015	RELEASE GUARD
	2243	#4 MOUNTING FRAME (GREY)	17	1000-023	RETENTION CABLE
	2244	#16 MOUNTING FRAME (GREY)	18	1000-017	GASKET KIT
	2246	#28 MOUNTING FRAME (GREY)	19	1000-018	HINGE W/SWITCH

**SAFETY ITEMS**

**TRANSPEC ROOF HATCHES**

**TRIPLE VALUE SAFETY VENT®  
MODEL 1100**



**REPLACEMENT LID ASSEMBLIES**

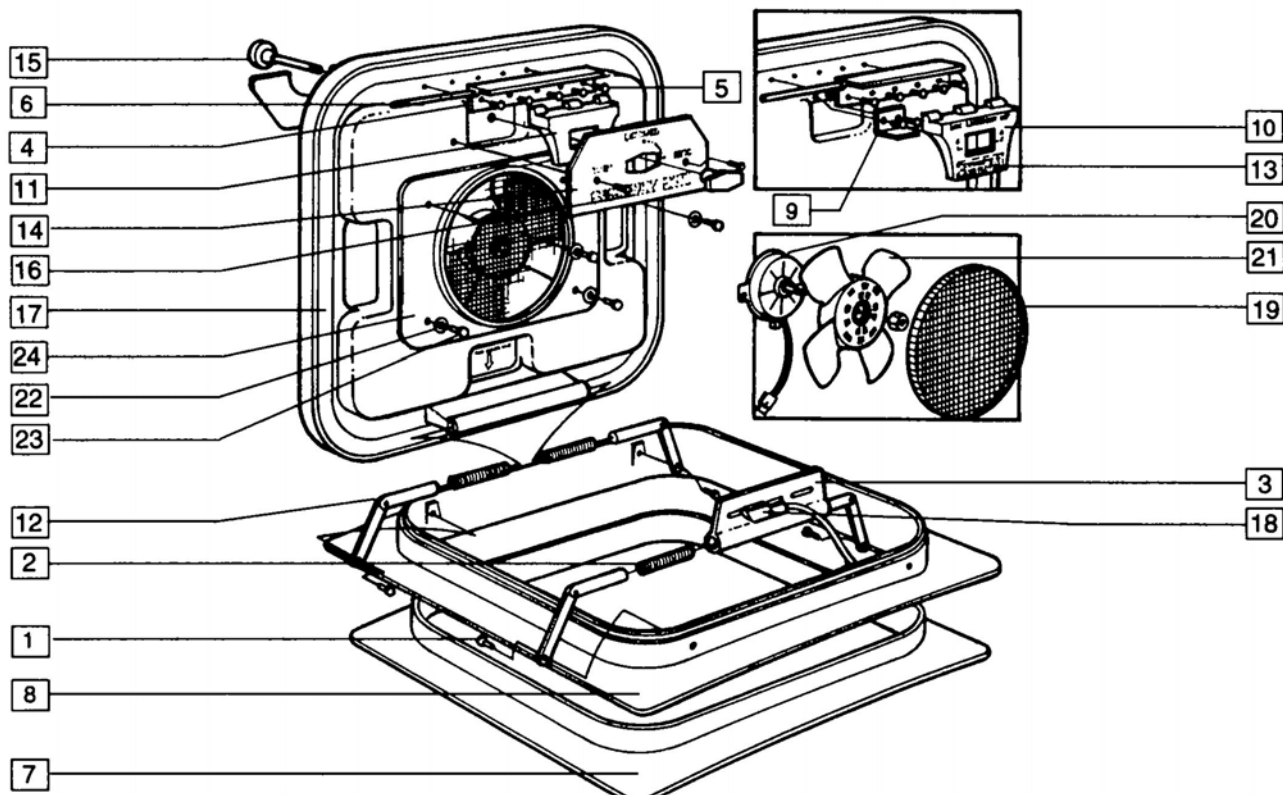
- 1000L-000-001 TVSV-STANDARD
- 1000L-000-101 TVSV WITH OUTSIDE RELEASE
- 1000L-000-111 TVSV WITH OUTSIDE RELEASE AND ALARM

ITEM NUMBER	PART NUMBER	DESCRIPTION	ITEM NUMBER	PART NUMBER	DESCRIPTION
1	2030	SHOULDER BOLT	9	2270	SAFETY LATCH
2	2040	PLUNGER SPRING	10	1000-001	RELEASE HDL ASSY
3	2060	RELEASE HINGE		1000-002	RELEASE HDL ASSY
	2061	RELEASE HINGE (GREY)	11	1000-003	OSR HANDLE ASSY
4	2070	HANDLE BASE		1000-004	OSR HANDLE GREY
	2071	HANDLE BASE (GREY)	12	1000-005	LINK/PLUNGER ASSY
5	2100	SPECIAL SCREW	13	1000-006	INST. DECAL KIT
6	2140	HINGE PIN		1000-007	INST. DECAL KIT (E/F)
7	2220	#4 TRIM MOLDING		1000-008	INST. DECAL KIT (E/S)
	2221	#28 TRIM MOLDING	14	1000-009	OSR DECAL KIT
	1000-019	#4X6" TRIM MOLDING		1000-010	OSR DECAL KIT (E/S)
	2229	#4 TRIM MOLDING (GREY)		1000-011	OSR DECAL KIT (E/F)
	2231	#28 TRIM MOLDING (GREY)		1000-012	OSR DECAL KIT (E/G)
8	2240	#4 MOUNTING FRAME		1000-013	OSR DECAL KIT (E/I)
	2241	#16 MOUNTING FRAME	15	1000-014	OSR HANDLE ASSY
	2242	#28 MOUNTING FRAME	16	1000-015	RELEASE GUARD
	2243	#4 MOUNTING FRAME (GREY)	17	1000-017	GASKET KIT
	2244	#16 MOUNTING FRAME (GREY)	18	1000-018	HINGE W/SWITCH
	2246	#28 MOUNTING FRAME (GREY)			

## SAFETY ITEMS

### TRANSPEC ROOF HATCHES

### POWER SAFETY VENT MODEL 1600

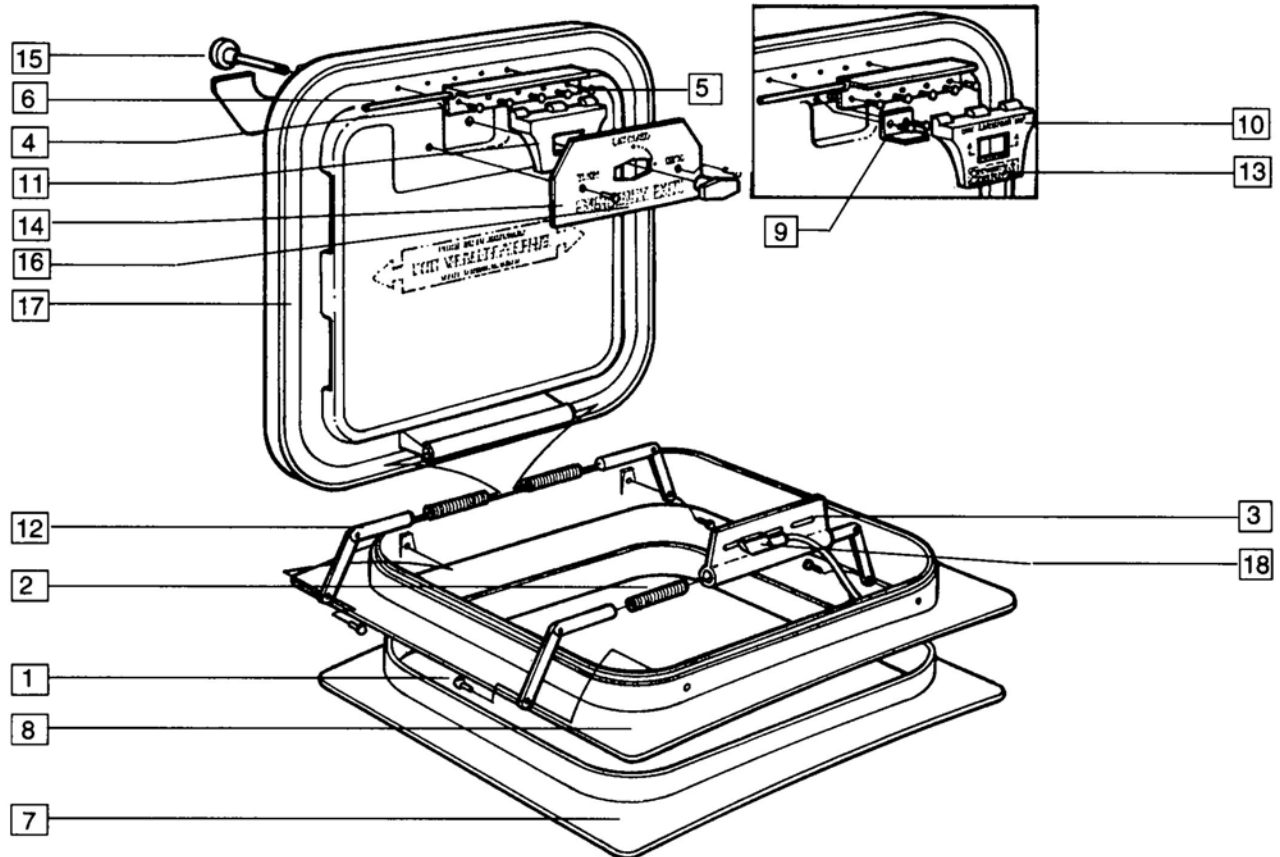


ITEM NUMBER	PART NUMBER	DESCRIPTION	ITEM NUMBER	PART NUMBER	DESCRIPTION
1	2030	SHOULDER BOLT	14	1600-004	OSR DECAL KIT
2	2040	PLUNGER SPRING		1600-005	OSR DECAL KIT (E/S)
3	2060	RELEASE HINGE		1600-006	OSR DECAL KIT (E/F)
4	2061	RELEASE HINGE (GREY)		1600-007	OSR DECAL KIT (E/G)
	2070	HANDLE BASE		1600-008	OSR DECAL KIT (E/I)
	2071	HANDLE BASE (GREY)	15	1000-014	OSR HANDLE ASSY
5	2100	SPECIAL SCREW	16	1000-015	RELEASE GUARD
6	2140	HINGE PIN	17	1000-017	GASKET KIT
7	2220-28	#28 TRIM MOLDING	18	1000-018	HINGE W/SWITCH
	2220-4	#4 TRIM MOLDING	19	2880	POWER VENT SCRIN
	2220-6	#4X6" TRIM MOLDING	20	2895	FAN MOTOR
8	2240-16	#16 MOUNTING FRAME	21	2940	FAN BLADE
	2240-28	#28 MOUNTING FRAME	22	2950	FLANGE WASHER
	2240-4	#4 MOUNTING FRAME	23	2960	OVAL HEAD SCREW
9	2270	SAFETY LATCH	24	3010	POWER VENT TRIM
10	1000-001	RELEASE HDL ASSY	<b>REPLACEMENT LID ASSEMBLIES</b>		
	1000-002	RELEASE HDL ASSY			
11	1000-003	OSR HANDLE ASSY			
	1000-004	OSR HANDLE GREY	1600L-000-001	POWER VENT STANDARD	
	1000-005	LINK/PLUNGER ASSY	1600L-000-101	POWER VENT W OSR	
12	1600-001	INST. DECAL KIT	1600L-000-111	POWER VENT W OSR AND ALARM	
13	1600-002	INST. DECAL KIT (E/F)			
	1600-003	INST. DECAL KIT (E/S)			

**SAFETY ITEMS**

**TRANSPEC ROOF HATCHES**

**ECONO VENT  
MODEL 1900**



ITEM NUMBER	PART NUMBER	DESCRIPTION	ITEM NUMBER	PART NUMBER	DESCRIPTION
1	2030	SHOULDER BOLT	12	1000-005	LINK/PLUNGER ASSY
2	2040	PLUNGER SPRING	13	1900-001	INST. DECAL KIT
3	2060	RELEASE HINGE		1900-002	INST. DECAL KIT (E/F)
	2061	RELEASE HINGE (GREY)		1900-003	INST. DECAL KIT (E/S)
4	2070	HANDLE BASE	14	1900-004	OSR DECAL KIT
	2071	HANDLE BASE (GREY)		1900-005	OSR DECAL KIT (E/S)
5	2100	SPECIAL SCREW		1900-006	OSR DECAL KIT (E/F)
6	2140	HINGE PIN		1900-007	OSR DECAL KIT (E/G)
7	2222	#4 TRIM MOLDING		1900-008	OSR DECAL KIT (E/I)
	2227	#28 TRIM MOLDING	15	1000-014	OSR HANDLE ASSY
8	2247	#4 MOUNTING FRAME	16	1000-015	RELEASE GUARD
	2248	#16 MOUNTING FRAME	17	1000-017	GASKET KIT
	2249	#28 MOUNTING FRAME	18	1000-018	HINGE W/SWITCH
9	2270	SAFETY LATCH	<b>REPLACEMENT LID ASSEMBLIES</b>		
10	1000-001	RELEASE HDL ASSY	1900L-000-001	ECONO VENT STANDARD	
	1000-002	RELEASE HDL ASSY	1900L-000-101	ECONO VENT W/ OSR	
11	1000-003	OSR HANDLE ASSY	1900L-000-111	ECONO VENT W/ OSR AND ALARM	
	1000-004	OSR HANDLE GREY			

**SAFETY ITEMS**



**Model 205 Mini Strobe** (2 1/4" high) Mini strobe available as flange mount only, with remote power pack. Clear lens in stock. Red, blue, green and amber available with additional lead time. Individual parts for Mini Strobe include lamp, #205-000; remote power pack, #205-002; and 35 feet of shielded cable, #205-003 Replacement flash tube assembly, #205-001

COMPLETE ASSY 205-200

**Series 500**

**PART NUMBER 515-400**

Available Features for Series 500

Combination 12 & 24 VDC, same unit available

Single or double flash Voltage spike/surge protected

Reverse polarity protected, Field serviceable, Amber, clear, blue or green lens, Low amp draw with high light output

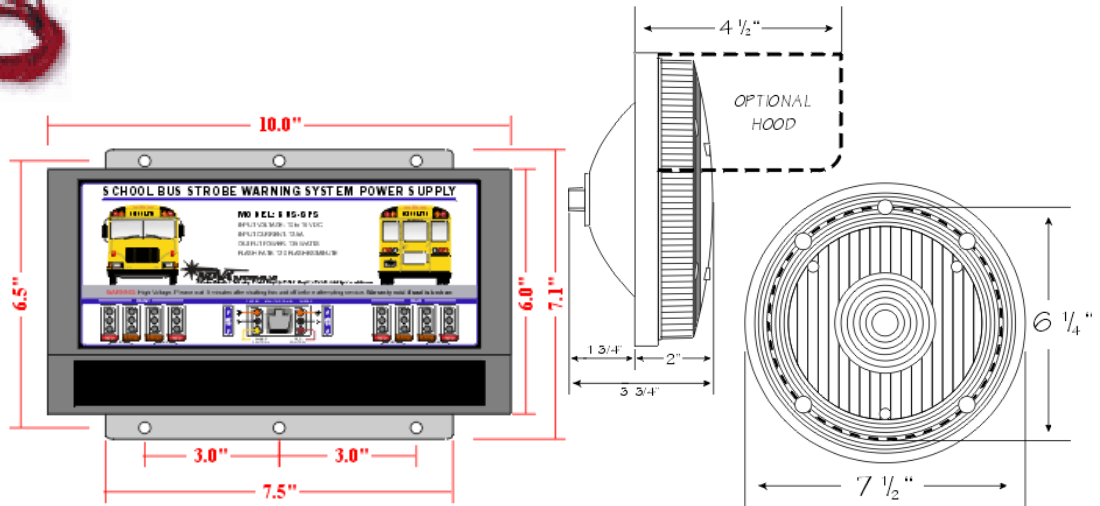
Rugged aluminum base for vibration resistance and heat dissipation

Fully encapsulated for protection against weather conditions

Meets SAE standards (J575 & J1318)



**Stop Arm Strobe- #1015** Retrofit Kit Double Flash Converts SMC incandescent school bus stop arm lights to strobes for maximum brilliance and safety. Kit includes: SMC Power Pack - Part No. 1001 SMC Strobe Lamp & Cable Assembly (2) - Part No. 1002 SMC Input Lead Power Cable - Part No. 1004



**BUS-8PS**

**135 Watt, 8 Head, Multi-flash School Bus Strobe Light Power Supply**

The Nova BUS-8PS 135-watt, 8 head, school bus strobe power supply provides 120 quad light bursts per minute, and is a reliable and affordable way to provide the maximum safety for your students.

Choose the Nova **BUS-8PS** strobe power supply for your school bus. The unit is highly effective, reliable, easy to install and provides the ultimate level of safety for your passengers