

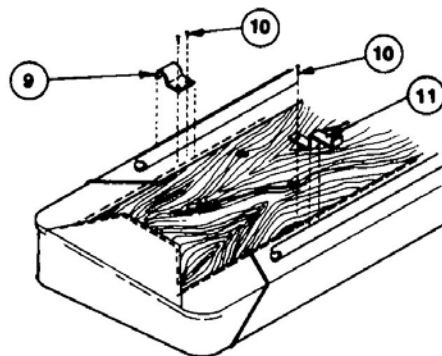
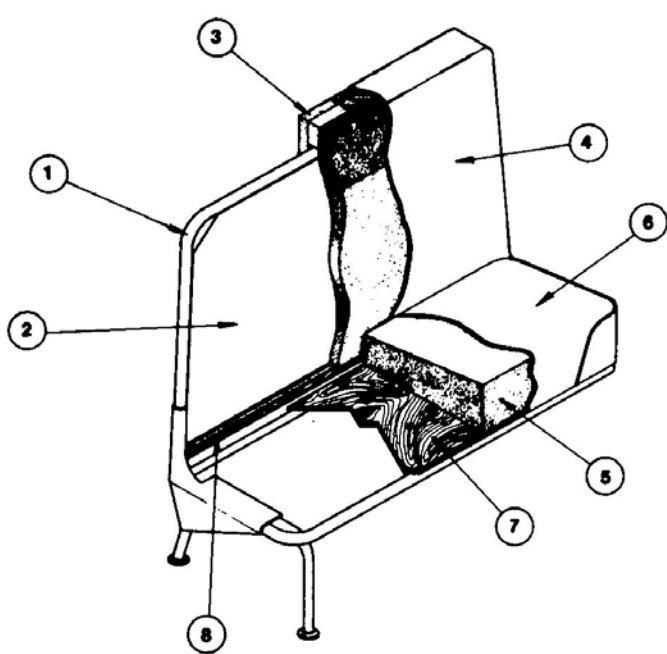
SEATING AND FLOORING

**PASSENGER AND DRIVERS
REPLACEMENT SEAT ASSEMBLIES
REPLACEMENT SEAT HARDWARE
REPLACEMENT SEAT COVERS
REPLACEMENT SEAT FOAM**

**OUR SEAT ASSEMBLIES AND REPLACEMENT PARTS MEET ALL FMVSS
TO ORDER CALL 1-800-460-2877**

PLEASE HAVE THE YEAR, MAKE OF BUS, COLOR OF MATERIAL

*****SCHOOL BUSES 1992 AND NEWER ARE REQUIRED TO HAVE FIRE BLOCK MATERIAL*****



ITEM NUMBER	DESCRIPTION
1	SEAT ASSEMBLY
2	SEAT FRAME
3	SEAT BACK FOAM
4	SEAT BACK COVER
5	SEAT CUSHION FOAM
6	SEAT CUSHION COVER
7	SEAT CUSHION BOARD
8	SEAT BACK TACK STRIP
9	POSITIVE SEAT CLIP
10	#12X3/4 SCREW
11	PIVOT TYPE SEAT CLIP

VELCRO BACK COVERS ARE AVAILABLE

**WHEN ORDERING SEAT ASSEMBLIES OR REPLACEMENT PARTS
PLEASE SPECIFY THE FOLLOWING:
THE YEAR & MAKE OF THE SCHOOL BUS
THE COLOR OF THE MATERIAL
WITH OR WITHOUT WELTING**

SEATING AND FLOORING



**7-0412
CARPENTER**



**7-0413
CARPENTER**



**7-0018
CARPENTER DRIVERS SEAT**



**6017200
AMTRAN / WARD**



**415800001
AMTRAN/WARD**



**3-45103
WAYNE**



**64049-1
WAYNE**



**615567
BLUE BIRD**



**825331
BLUE BIRD**



**919803
BLUE BIRD**



**919811
BLUE BIRD**



**46009815
THOMAS**



**46018145
THOMAS**

**ONE STOP BUS STOP
1440 SOUTH LOOP 12
IRVING TEXAS 75060**

**“YOUR ONE STOP
SOURCE FOR ALL
YOUR SCHOOL
BUS NEEDS”**

1-800-460-2877

SEATING AND FLOORING

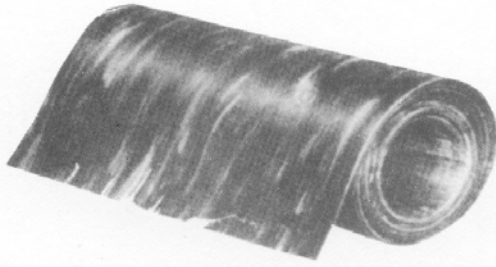


SEAT REPAIR TAPE

GREY TAPE

GREEN TAPE

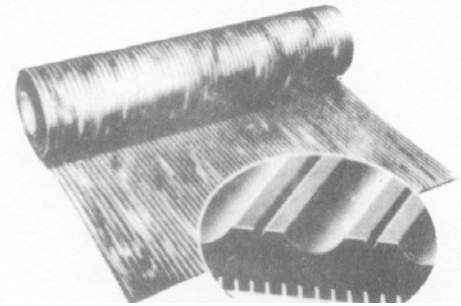
BROWN TAPE



308015-001
1/8" X 36" X 11 YARDS
BLACK SMOOTH FLOOR RUBBER
OTHER SIZES AVAILABLE CALL FOR
DETAILS

**One
Stop
Bus
Stop**

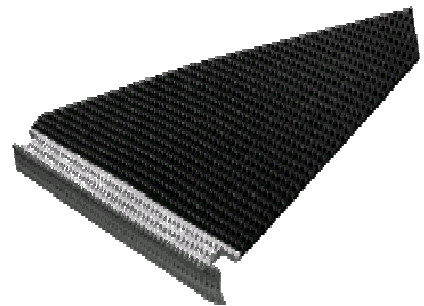
For your one stop bus
shopping



308015-001
3/16" X 13" X 11 YARDS
BLACK RIBBED AISLE RUBBER
OTHER SIZES AVAILABLE CALL FOR
DETAILS



STEP TREADS
FOR DETAILS ON STEP TREADS
CALL 1-800-460-2877
OUR STEP TREADS AND FLOOR COVERING



The ultimate in step tread design – aggressive, dimpled surface pattern provides exceptional traction and improved drainage. Pebble treads feature seamless construction and are permanently bonded to 20 gauge Galvaneel. The tread assembly is coated with urethane for additional corrosion resistance. White or safety yellow nosing is available.

ITEMS NOT SHOWN

13-0673 AISLE MOLDING "T-SHAPED" TO TRIM BETWEEN AISLE RUBBER AND SMOOTH RUBBER
13-1597 COVE MOLDING TRIMS RUBBER EDGE AT THE WALL OF THE BUS

** FLOOR ADHESIVE **CALL FOR PART NUMBER